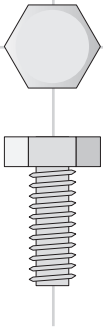


PARTS

1.5" Radius Notching Cutter Head

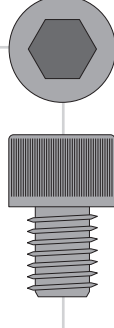
1/4-20 x 5/8"
Hex Head Bolt
B01420X58HH/95



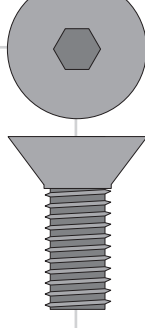
5/16-18 x 1/2"
Capscrew
B051618X12SHC/95



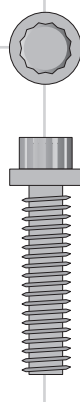
3/8-16 x 1/2"
Capscrew
B03816X12SHC/95



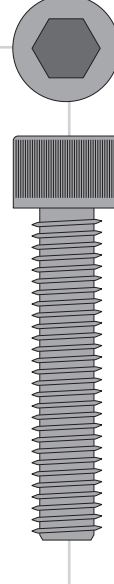
3/8-16 x 7/8"
Flathead Bolt
B03816X78FH/95



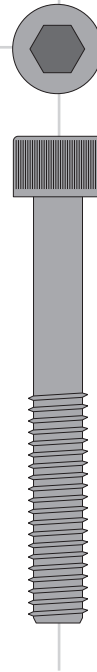
1/4-20 x 1"
12-Point Bolt
B0TP/95



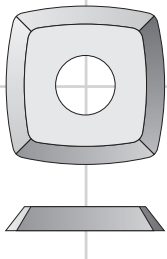
3/8-16 x 1-3/4"
Capscrew
B03816X134/95



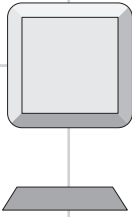
5/16-18 x 2-1/4"
Capscrew
B051618X214SHC/95



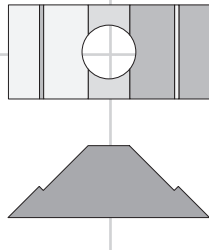
.825 4-sided Carbide insert
CA825R/85



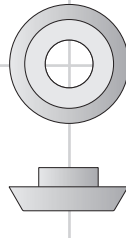
Carbide Square
(SS-650)
CASQ/50



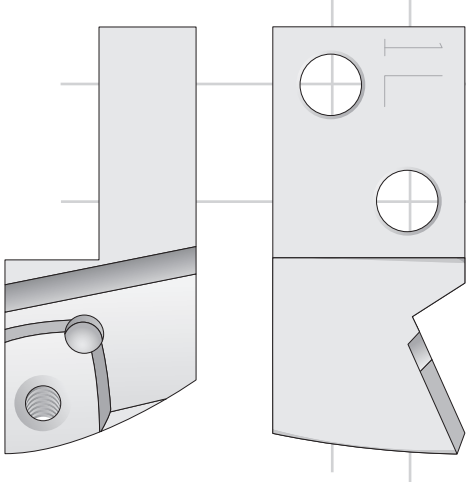
90 Degree Clamp
CL90/95



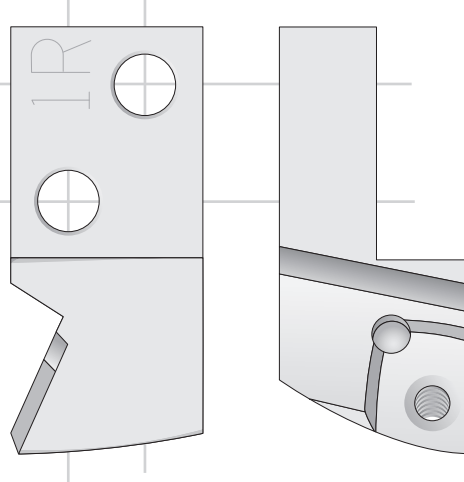
Disc Washer
(1.5" radius cutter)
DIWA15/95



End Cutter Nest 1.5" radius (left hand)
1L shown; 2L, 3L, 4L also available
ECN15L1/85



End Cutter Nest 1.5" radius (right hand)
1R shown; 2R, 3R, 4R also available
ECN15R1/85



**We're ready to answer your questions about our parts!
Call 800-245-9663 to order new or replacement parts or ask
us questions about our precision designed cutting tools.**

Not every part for this cutting tool is shown. These drawings are for visual comparison to existing parts only and not intended to be an exact representation of the actual part. Please call Econotool with any questions regarding any of our parts.



2971 FRANKS ROAD • HUNTINGDON VALLEY • PA • 19006
800-245-9663 • 215-947-2404 • FAX: 215-947-0529 • WWW.ECONOTOOL.COM